



# STAINLESS STEEL UTILITY CARTS



150 lb. Capacity

Item #: \_\_\_\_\_ Qty #: \_\_\_\_\_  
 Model #: \_\_\_\_\_  
 Project #: \_\_\_\_\_

### FEATURES:

- Knock Down Unit
- 4" Swivel Casters
- Sound dampening pads affixed to shelving bottom
- Adjustable shelves furnished with 1 1/4" x 1" square edge with 1/2" return on four sides

### CONSTRUCTION:

- Unit assembles using tapered split sleeves
- Set of four 4" swivel casters includes two casters with brakes and 4 donut bumpers

### MATERIAL:

**SHELVES:** Heavy Gauge Stainless Steel

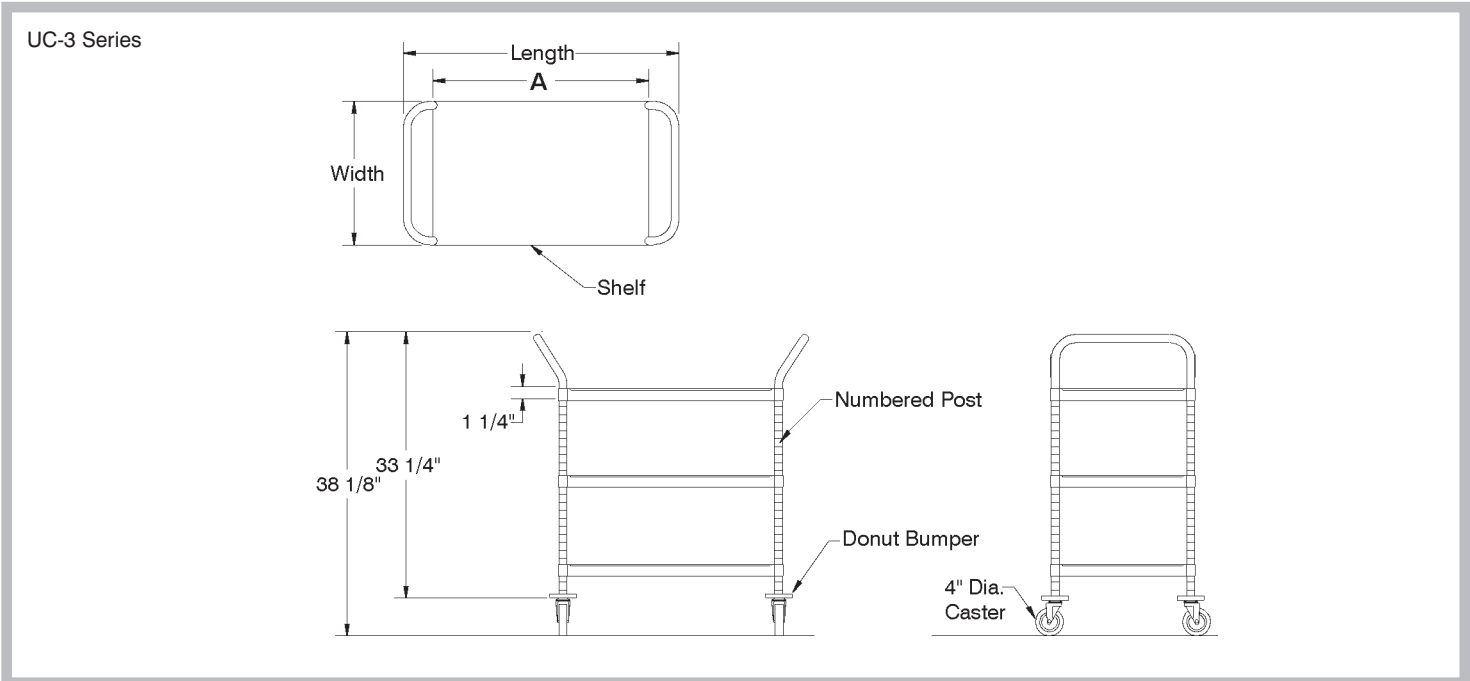
**TUBING:** Chrome Posts

Model #	A	Length	Width	Wt.
UC-3-1827	27"	34 1/2"	18"	27 lbs.
UC-3-2433	33"	40 1/2"	24"	35 lbs.

## DETAILS and SPECIFICATIONS

TOL ± .500"

ALL DIMENSIONS ARE TYPICAL



Customer Service Available To Assist You **1-800-645-3166** 8:30 am - 7:00 pm E.S.T.

For Orders & Customer Service:  
 Email: [customer@advancetabco.com](mailto:customer@advancetabco.com) or Fax: 631-242-6900

For Smart Fabrication™ Quotes:  
 Email: [smartfab@advancetabco.com](mailto:smartfab@advancetabco.com) or Fax: 631-586-2933