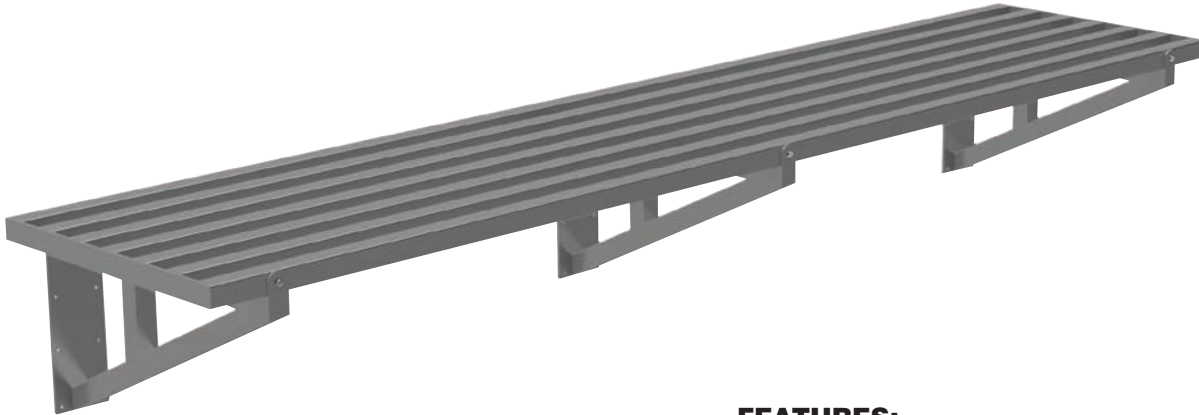




STAINLESS STEEL
**HEAVY DUTY SLOTTED
 COOK LINE WALL SHELF**

Item #: _____ Qty #: _____
 Model #: _____
 Project #: _____



FEATURES:

- 21" Wide
- 1 1/2" Square Tubes
- 1 3/4" Spacing
- Tubular Support Brackets
(Shipped Loose To Suit Wall Stud Location)

MATERIAL:

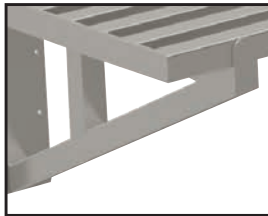
- SHELF:** 18 Gauge, 304 Stainless Steel Tubing
- BRACKET:** Heavy duty, 304 Stainless Steel

CONSTRUCTION:

- Stainless Steel Plate Mounting Bracket
- Square Tubes
- All welded stainless steel units are blended to a satin finish

NOTE: Recommend Field Welding Brackets To Underside Of Cook Line Shelf

WELDED BRACKET OPTION



TA-26-21
 Factory Welded Shelf Brackets
 (Print Required)

Length	Model #	# of Brackets	Approx. Wt.	Approx. Cubes
48"	DT21-4	2	90 lbs.	6
72"	DT21-6	3	105 lbs.	8
96"	DT21-8	3	145 lbs.	10
120"	DT21-10	4	190 lbs.	13
144"	DT21-12	4	210 lbs.	15



Customer Service Available To Assist You 1-800-645-3166 8:30 am - 7:00 pm E.S.T.

For Orders & Customer Service:
 Email: customer@advancetabco.com or Fax: 631-242-6900

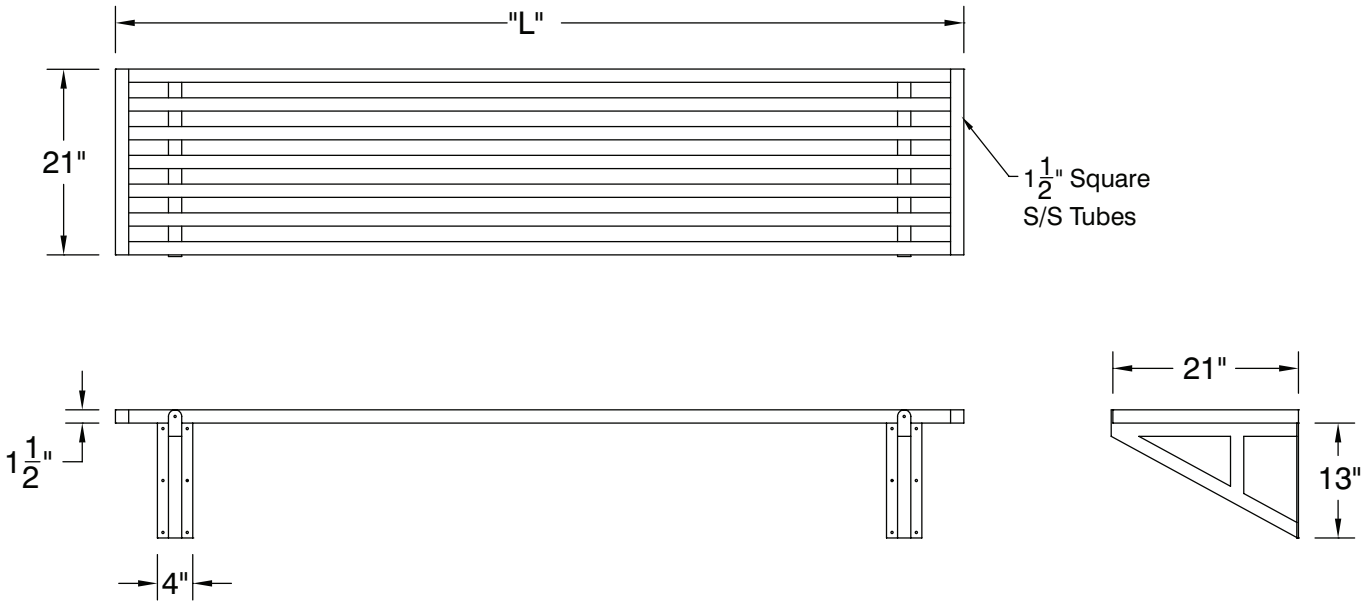
For Smart Fabrication™ Quotes:
 Email: smartfab@advancetabco.com or Fax: 631-586-2933

DETAILS and SPECIFICATIONS

TOL ± .500"

ALL DIMENSIONS ARE TYPICAL

HEAVY DUTY SLOTTED COOK LINE WALL SHELF



Load Capacity = 22 lbs. per sq. ft.
(Evenly Distributed Weight)

