



K-180 ELECTRONIC DECK MOUNT FAUCET

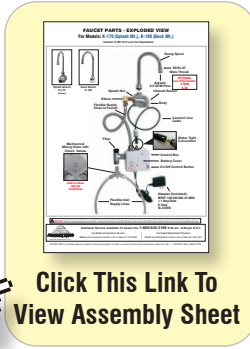
Conforms To NSF 61/9 Lead Free Requirements



Powered by
AC or Battery!



FAUCET AERATOR CONFORM TO
ASTM.A112.18.1M • 2.2 GPM/8.33 LP
THREAD: 55/64 - 27 FEMALE



Click This Link To
View Assembly Sheet



Mixing Valve

Item #: _____ Qty #: _____

Model #: _____

Project #: _____

FEATURES:

- 3-1/2" swivel gooseneck spout.
- Hot/cold water mixing valve.
- Infrared sensor activated.
- 4 AA Batteries or AC powered.
- 6' cord. Input: 100-240VAC 47-60Hz <1 Amp Draw. UL LISTED.
- 1.0 GPM/3.8 LPM Aerator. 60 PSI.

MATERIAL:

- Brass chrome plated body & spout.
- Chrome plated handles.

Replacements Parts

Replacement
Control Module



K-09

Infrared Sensor
and Wire Assembly



K-14

Replacement Spout
For K-180 Faucet



K-175SP

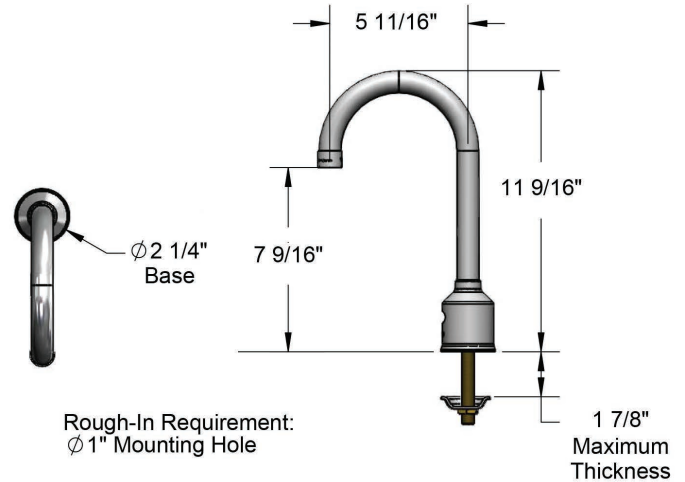
Low Flow Aerator

.5 GPM



K-08

DIMENSIONS and SPECIFICATIONS



⚠ WARNING:

Faucet(s) on this page may expose you to chemicals, including lead, that are known to the State of California to cause cancer or birth defects or other reproductive harm. For more Info., visit www.p65warnings.ca.gov.



Customer Service Available To Assist You **1-800-645-3166** 8:30 am - 7:00 pm E.S.T.

For Orders & Customer Service:

Email: customer@advancetabco.com or Fax: 631-242-6900

For Smart Fabrication™ Quotes:

Email: smartfab@advancetabco.com or Fax: 631-586-2933