



HEAVY GAUGE STAINLESS STEEL ECONOMY DISH CABINETS

Item #: _____ Qty #: _____

Model #: _____

Project #: _____



Model #	Length	A	Wt.	Cu. Ft.
EDC-1548-X	48"	15"	148 lbs.	24
EDC-1560-X	60"	15"	178 lbs.	30
EDC-1572-X	72"	15"	210 lbs.	35
EDC-1848-X	48"	18"	158 lbs.	28
EDC-1860-X	60"	18"	190 lbs.	34
EDC-1872-X	72"	18"	224 lbs.	40

DETAILS and SPECIFICATIONS

FEATURES:

FLAT TOP is furnished with a 1-5/8" square edge on all four sides.

Back panel flush along the rear of the base cabinet.

MATERIAL:

TOP is 18 gauge stainless steel with galvanized hat channel.

BODY is 18 gauge stainless steel.

LEGS include stainless steel gusset, legs and feet.

CONSTRUCTION:

All TIG welded. Exposed areas finished to match adjacent surfaces.

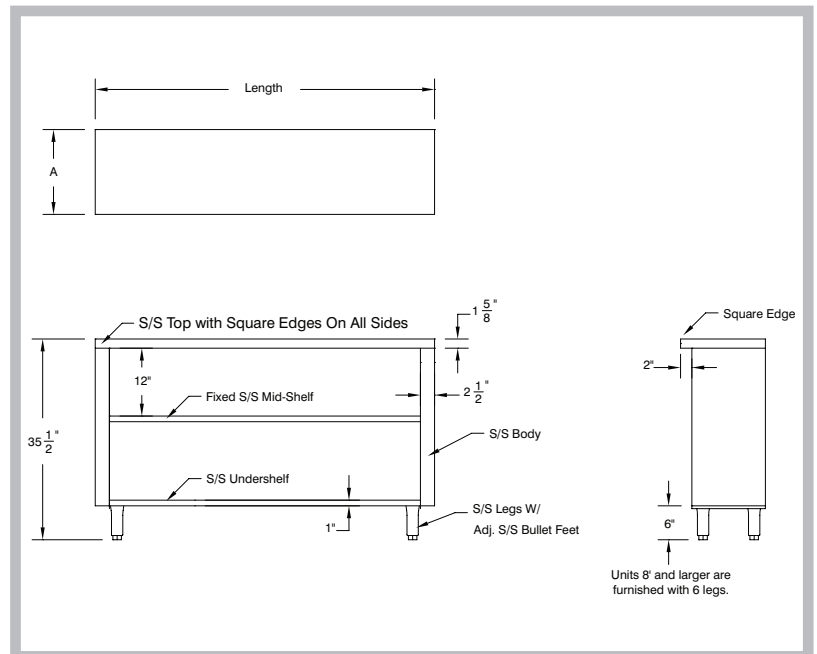
Entire Top is mechanically polished to a satin finish and is sound deadened.

Roll formed embossed galvanized hat channels are secured to top by means of structural sound-deadening adhesive and weld studs.

UNIT-BODY DESIGN sides, back and shelf are welded to form a single rigid structure.

TOL ± .500"

ALL DIMENSIONS ARE TYPICAL



Customer Service Available To Assist You 1-800-645-3166 8:30 am - 7:00 pm E.S.T.

For Orders & Customer Service:

Email: customer@advancetabco.com or Fax: 631-242-6900

For Smart Fabrication™ Quotes:

Email: smartfab@advancetabco.com or Fax: 631-586-2933